

Using RestoreX in 3 Simple Steps

Secure • Extend • Rotate

Let's get started. If you are using your device for the first time, please complete the "One-Time Setup of the RestoreX Device" process as described on pages 5-14.

PathRight Medical recommends two (2) days of practice wearing RestoreX for 5-10 minutes, three (3) times per day and slowly extending use through the first week (see pg. 22). You may use RestoreX while standing, sitting or lying down. PathRight recommends using RestoreX in the sitting or lying down position, whichever position is most comfortable for you. If more comfortable, you may wear a light pair of sweat pants or athletic shorts over RestoreX during treatment.

Step 1 - Secure the Penis in the Clamp

Opening the Clamp

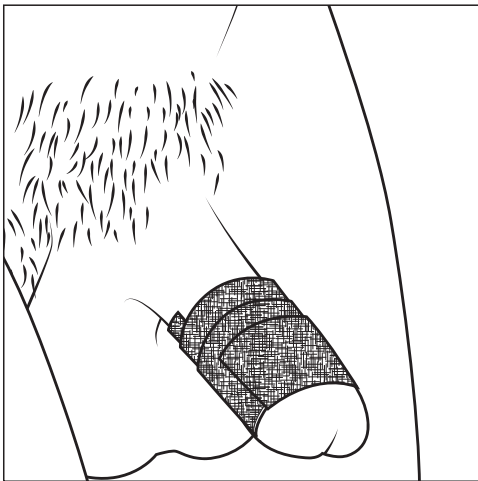


Figure A

To improve comfort, it is recommended you use the supplied self-adherent wrap (*Figure A*). To use, gently wrap it two or three times around your penis in the flaccid state. **Do not overtighten.** If worn too tightly, the self-adherent wrap can restrict blood supply to the penis.

Note: Use wrap prior to expiration date.

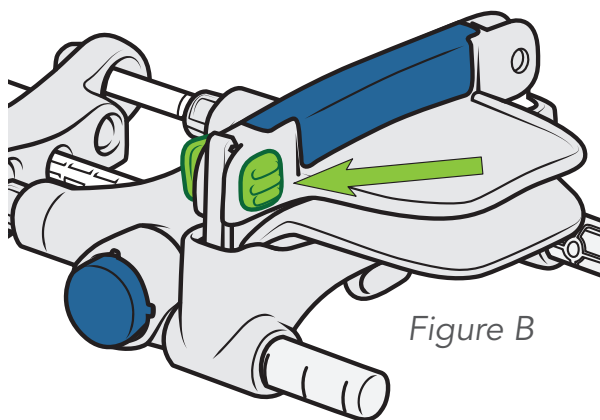


Figure B

First, open the clamp by pushing the clamp lock towards the pelvic ring (*Figure B*), as you did in Part 5 of the set up. This is the open position.

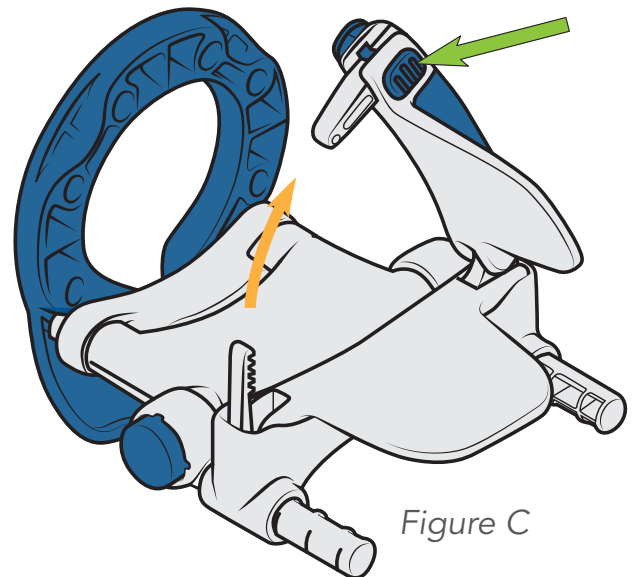


Figure C

Next, push the main body of RestoreX toward the pelvic ring to compress the spring so RestoreX is locked in its shortest configuration (*Figure C*). Now you may put RestoreX on.

Step 1 - Secure the Penis in the Clamp (Cont.)

Positioning the Device and Closing the Clamp

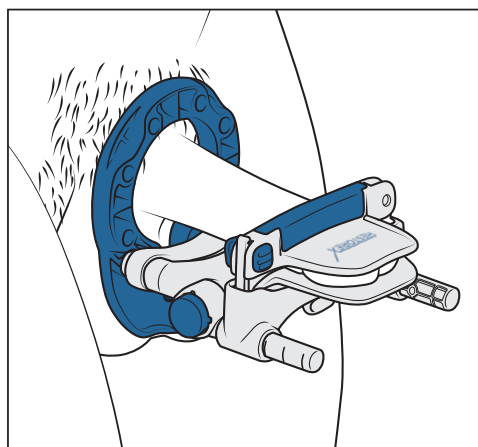


Figure D

To put RestoreX on, insert your penis through the pelvic ring. While holding the pelvic ring against your body, place the head of your penis into the open clamp. In this position slowly close and secure the clamp (Figure D) closing to the number of clicks achieved in **Part 5** (pg. 13).

Note: If the clamp lock is in the open position you will not hear any clicks and will have to push the lock closed when you reach the desired location (Figure E).

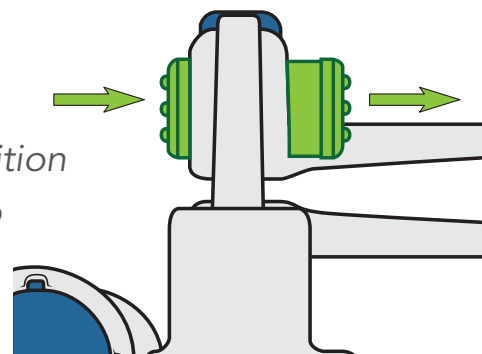


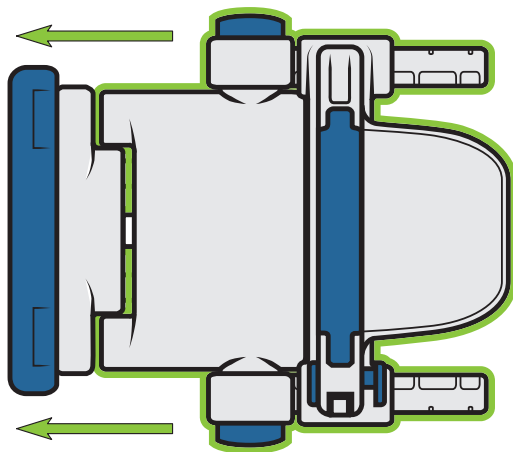
Figure E

Note: If during the clamping process or treatment session you experience pain or numbness in the penis, open the clamp, reposition the penis and continue the treatment. If pain persists, see Warnings and Precautions (pg.23), stop the treatment session and contact either your physician or RestoreX customer service at **1-877-228-5147**.

Note: If, during the treatment session the RestoreX device changes position, reduce tension, reposition and re-tension.

Step 2 - Extend and Add Tension

Now that the penis has been secured to the RestoreX device, you are ready to begin applying tension. First, unlock the tension mechanism (springs) by pulling the device back toward your body. Slowly and with control, allow the springs to release and expand. RestoreX operates much like the clicking mechanism of a pen (*Figure F*).



Pull toward the body.

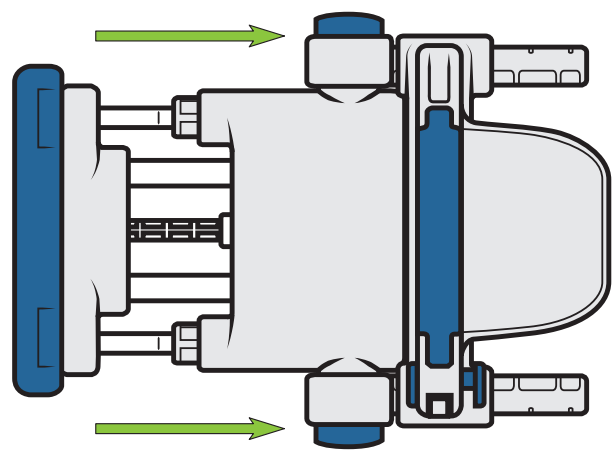


Figure F

Release away from the body.

Step 2 - Extend and Add Tension (Cont.)

Once the tension mechanism is released, advance the main body of RestoreX on the extension rods to get the proper tension (*Figure G*). The tension rods are marked to indicate when properly tensioned. Advance on the extension rods until the white bands on the tension rods are no longer visible. This assures you are receiving the minimum recommended traction.

After several minutes, your penile tissues and ligaments will stretch and the white bands on the rods will become visible again. When this occurs, advance to the next click on the extension rods until the white bands on the rods are no longer visible. This assures that the optimal traction forces are used.

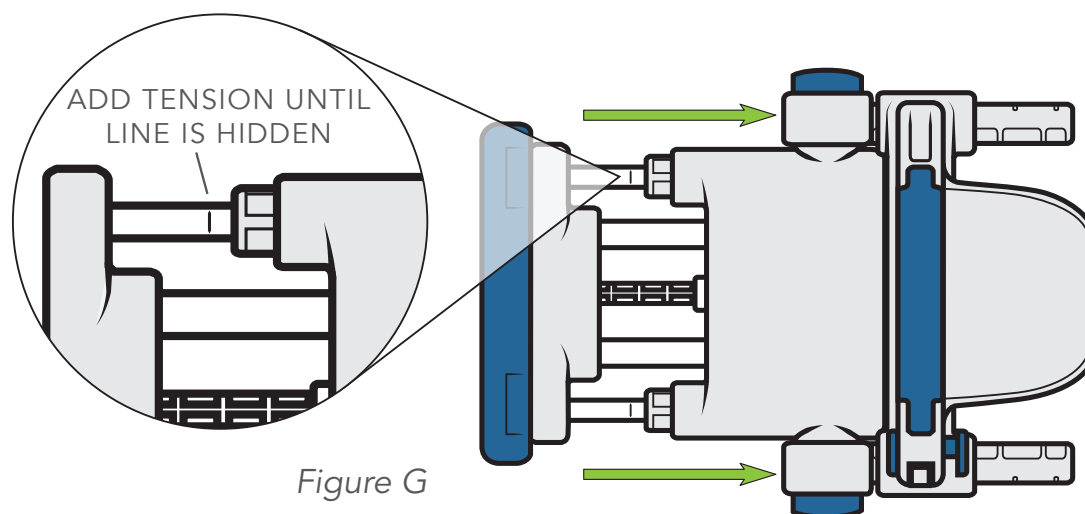


Figure G

Note: If at anytime you feel pain, excessive pressure, or pinching, reduce tension by pulling the main body of RestoreX back on the tension rods and locking into place. Reposition the base ring against the body and re-apply traction to assure the penis is firmly secured but still comfortable enough to be worn for 30 minutes.

Step 3 - Rotate Opposite the Curvature

Applying Tension in the Angled Position

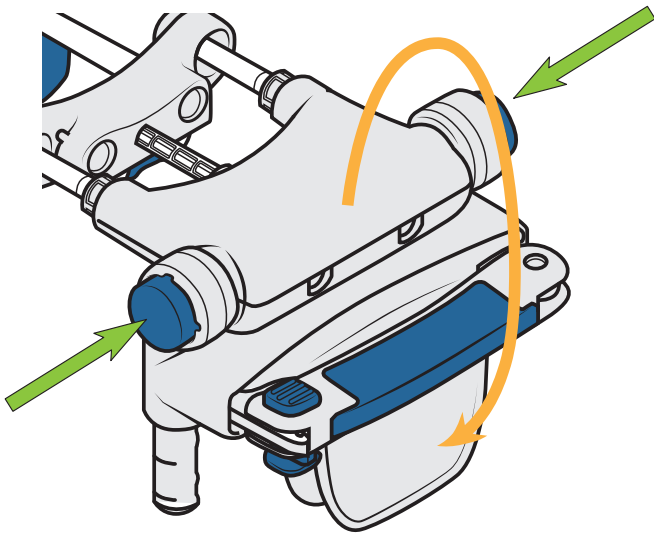


Figure H

RestoreX allows you to bend the penis in the opposite direction of the curvature. This allows greater tensioning of the diseased tissue and is referred to as the “Angled Position.” RestoreX has two rotation buttons that must be pressed at the same time to rotate the device in the **opposite** direction of the Peyronie’s curvature. Push the two buttons simultaneously and then rotate the clamp around to one of the four stops/positions (*Figure H*). You may only be able to initially achieve the first or second stop.

However, after a few minutes, you may be able to advance to the next position. In order to achieve a maximal bend/angulation, you may need to reduce tension prior to rotating. To do so, slide the extension release (see pg. 8) on the bottom of the device and move the main body back toward the pelvic ring until you are able to achieve the angled position. Once complete, you may re-apply tension by advancing on the extension rods until the white band on the tension rods is not visible.

Removing RestoreX

To remove RestoreX, slowly and gently release the clamp by pushing the clamp locking button toward you (*Figure I*), slowly and gently open the clamp and remove the device.

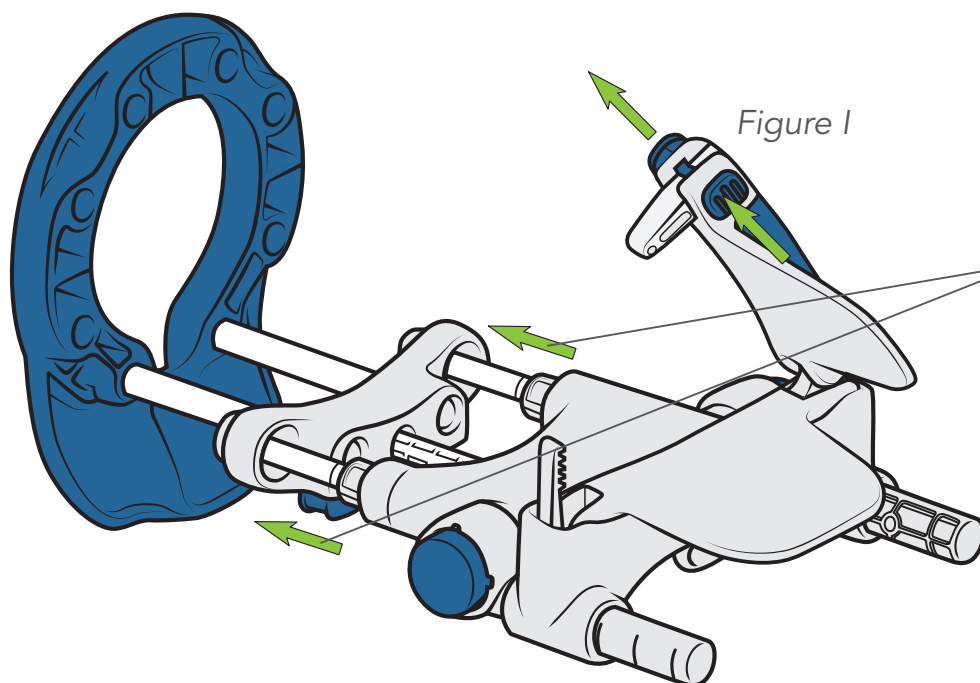


Figure I

If it is difficult to release the clamp, move the main body along the tension rods toward the pelvic ring and lock into place. This will reduce the tension and make it easier to open the clamp and remove the device.

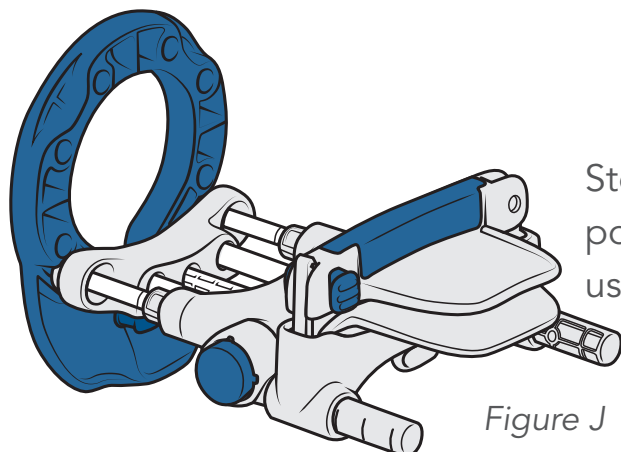


Figure J

Store the RestoreX device in the unlocked position (springs extended) until the next use (*Figure J*).

Recommended Treatment Times

The following table shows recommended treatment times for the first week and thereafter:

Calendar	Time: Straight Position	Time: Angled Position	Treatments per Day	Total Therapy Time per Day
Days 1 and 2	8 minutes	2 minutes	3	3 treatments x 10 min = 30 mins
Days 3-7	13 minutes	2 minutes	3	3 treatments x 15 min = 45 mins
Weeks 2-12 <i>or Per Your Doctor's Recommendation</i>	15 minutes	15 minutes	2	2 treatments x 30 min = 60 mins
Calendar	Time: Straight Position	Time: Angled Position	Treatments per Week	Total Therapy Time per Week
Weeks 13-52	15 minutes	15 minutes	1/Week	30 min

- If you have multiple directions of curvature, perform one session in the angled position for each curvature each day.
- For weeks 2-12 or until the curvature is satisfactorily improved or resolved, perform two sessions daily (separated at least by 30 minutes).
- You may wish to continue to use the device at least once per week for 30 minutes to prevent a recurrence of curvature and to maintain penile length.

Troubleshooting

1) It is difficult to place and secure device due to inability to see the penis

- If you are unable to see the penis to apply the clamp, remove the clamp from the clamp housing (**Part 5**, pg. 13).
- Once removed, place your penis through the pelvic ring. With the clamp out of the housing, place the clamp on your penis.
- After securing your penis in the clamp, replace the clamp into its housing and follow the remainder of the instructions under “Using RestoreX in 3 Simple Steps.”

2) Difficulty in removing

- If you have difficulty removing RestoreX because it is too difficult to release the clamp, reduce tension by moving the main body of the device along the tension rods toward the pelvic ring and lock into place. This should reduce tension enough so the clamp can be opened and the device removed until the next use. Prior to storing, release RestoreX from the locked position to ensure the springs are not compressed between uses.
- Finally, if it is still difficult to remove the device, take the clamp out of its housing (**Part 5**, pg. 13) and push the clamp lock button toward you to unlock and remove.

3) Penis does not fit into device

- RestoreX accommodates stretched penile lengths (similar to erect length) of 3.75 inches (10 centimeters) and greater. If you feel your stretched length is shorter than 3.75 inches (10 centimeters), please attempt to re-measure using the instructions in **Part 1a** (pg. 5) under “One-Time Setup of the RestoreX Device.” Most often, people undermeasure their true penile length by not

pushing the ruler deep enough into the fat pad located in the lower abdomen. The true stretched penile length should be measured from the tip of the penis to the pubic symphysis (or bone where the penis attaches).

- After re-measuring, if your stretched penile length is less than 3 inches (8 centimeters), you may wish to return the RestoreX device to PathRight Medical.

4) Penis is too long to get a full stretch.

- Please contact PathRight Medical customer service at 1-877-228-5147.

5) In going from the "Straight Position" to the "Angled Position," there aren't enough notches on the extension rods to reduce tension

- It may be the case where you are able to get good traction in the "Straight Position" using the extended rod length but are not able to reduce the device tension sufficiently for the "Angled Position." In this case, you will need to use the standard rod for the "Angled Position."
 - Please see **Part 3** (pgs. 8-10) under "One-Time Setup of the RestoreX Device" for instructions on changing to the standard rod.

6) Penis keeps slipping out of the clamp whenever traction is applied.

Several things may cause this to occur:

- The penis was not wrapped with self-adherent wrap or not enough self-adherent wrap prior to securing the clamp.
- The clamp is not tightened sufficiently. Please note the clamp should not be tightened more than can be worn comfortably for 30 minutes at a time.
- Too much tension is being applied to the penis. The recommended amount of tension is enough to cause the white band on the tension rods to disappear into the device. If the springs are fully compressed, it may indicate too much traction and should be reduced.

Troubleshooting (Cont.)

- Traction is not released prior to changing from the “Straight Position” to the “Angled Position.” Since the “Angled Position” results in additional tension on the penis, reduce the amount of tension by pressing the extension release and moving the main body of the device toward the pelvic ring. Once the tension is reduced, the device can be changed into the “Angled Position.” Then, if needed, additional tension can slowly be applied until the white band on the tension rods disappears into the device.

Care

- Do not use a lubricant on RestoreX as it may permanently damage the device.
- Cleaning – To clean the device, wipe off any visible soil or contaminants from surfaces using a soft towel or facial tissue. Next, clean all surfaces of RestoreX using a cloth moistened with soap and water. DO NOT wash or immerse RestoreX in water, as this may damage the interior components. Allow RestoreX to air-dry thoroughly in a ventilated location before storing.

Never place any RestoreX component in a dishwasher or microwave oven

- Do not store RestoreX in its most compressed state (spring locked) (*Figure K*). Storing RestoreX in the compressed state will reduce its useful life. When not in use, store in an extended manner as illustrated below (*Figure L*).

